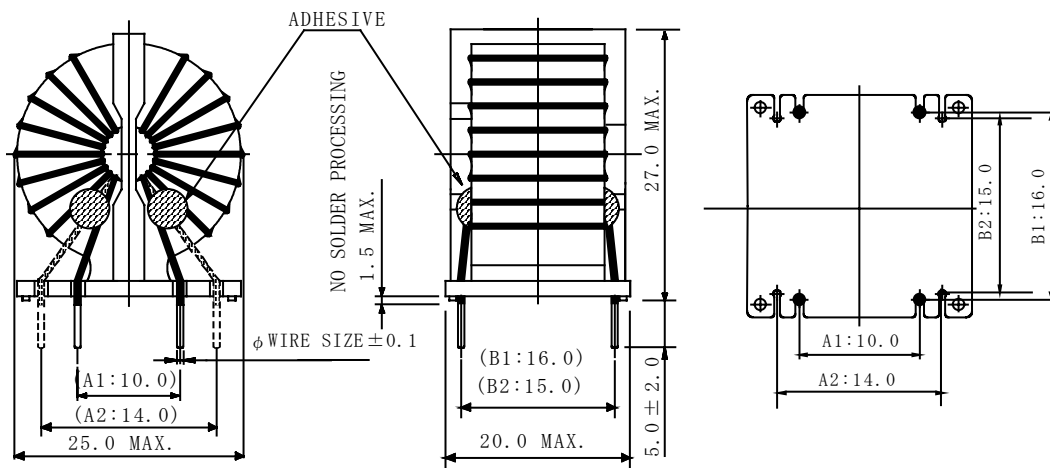


**Type: PFC2225B**
**◆ Product Description**

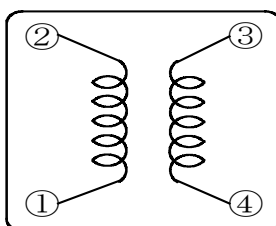
- 25.0×20.0mm Max.(L×W), 27.0mm Max. Height .
- Inductance range: 0.8mH~7mH
- Rated current range:3.0A~8.0A
- In addition to the standard versions of parameters shown here, custom designs are available to meet your exact requirements.


**◆ Feature**

- Safety standard conformance such as UL.
- Ideally used in TV, VCRs, OA devices.
- RoHS Compliance

**◆ Dimensions (mm)**


- \* Wiring-channel position for terminals of part name 801,152 and dimension A1,B1
- \* Wiring-channel position for terminals of part name 402,502,702,502B,702B and dimension A2,B2
- \* Dimension does not include solder used on coil.

**◆ Schematics (Bottom)**


- \* Winding start is #1,#4 or #2,#3.
- \* #1&#4, #2&#3 : should have same polarity.

**Type: PFC2225B**
**◆ Specification**

Part Name	Stamp	Inductance [MIN.](mH) (1-2) or (4-3) 1kHz/0.1V	Inductance Balance [MAX.] (μH)	D.C.R. (mΩ) [MAX.] (1-2) or (4-3) (at 20°C)	Rated current (50/60Hz) (Arms)(1-4) (2 and 3 To Be Shorted)※1
PFC2225BNP-8Ø1	801	0.8	50	12.5	8.0
PFC2225BNP-152	152	1.5	80	26.0	5.0
PFC2225BNP-4Ø2	402	4.0	100	54.0	4.0
PFC2225BNP-5Ø2	502	5.0	150	81.0	3.0
PFC2225BNP-7Ø2	702	7.0	200	135.0	2.5
PFC2225BNP-5Ø2B	502B	5.0	150	61.0	3.5
PFC2225BNP-7Ø2B	702B	7.0	200	70.0	3.0

※1. Rated current: The AC current at which the temperature rise is  $\Delta t=60^{\circ}\text{C}$ . ( $T_a=20^{\circ}\text{C}$ ).